

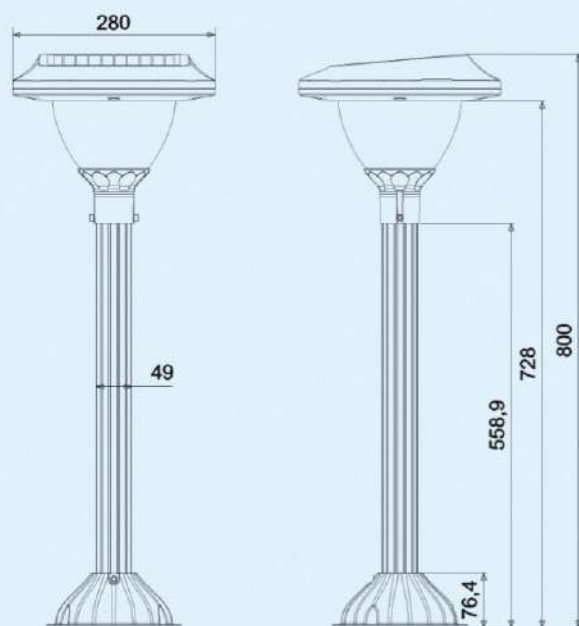
BCT

☼ Solar Lawn Light



Light source colour: A: Warm white B: Green

Product Demo Photo



Unit: mm



Product Advantages

- All night lighting. The light never be off no matter how many rainy or cloudy days.
- The light can be installed from Equator area to Polar regions. The working temperature is -47-70°C.
- Integrated design, modular production and one screw installation.
- 3.2V, low voltage design, safe and reliable.
- Integrated package, convenient transportation.
- With LiFePO₄ battery, high safety, long lifespan.
- Using high efficiency LED with 50,000 hrs life span.

Applications:

Solar lawn light is easy to be installed and more attractive. It is widely used for park lawn, villa, green space, tourist attraction, resort, golf course, greenery and beautification of enterprise factories, residential area lighting, landscape embellishment and lighting of various green belts.

Product Parameters

Solar Panel	Solar Panel	5V/5W
	Life Span	25 years
Battery	Voltage/Capacity	3.2V/6Ah LiFePO ₄ Battery
	Life Span	8-12 years
Light Source	Power	270Lm Common 3W LED
	Life Span	50000 hrs
Lighting Time	All night lighting, the first 4 hrs full power lighting, the rest night lighting is intelligent power control.	
Lampshade	With PC outdoor optical lens, high light transmittance.	
Installation Distance	6-8m	
Pole Height	Standard: 590mm Optional: 130mm, 360mm	
Light Source Colour	Standard: Warm white Optional: Green	
Warranty	5 years	

BCT

Applicable Place

