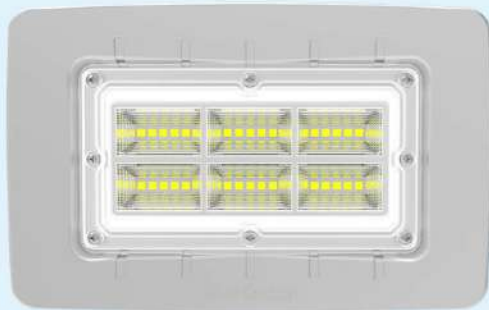


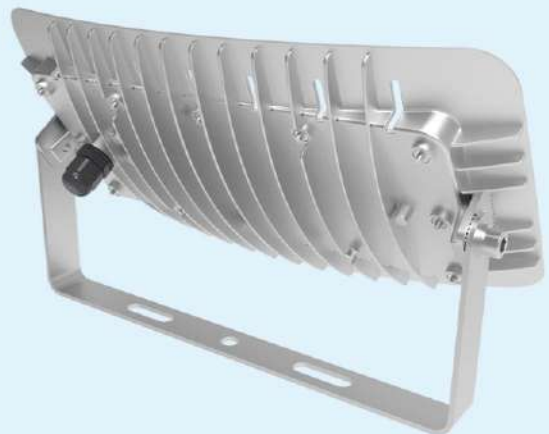
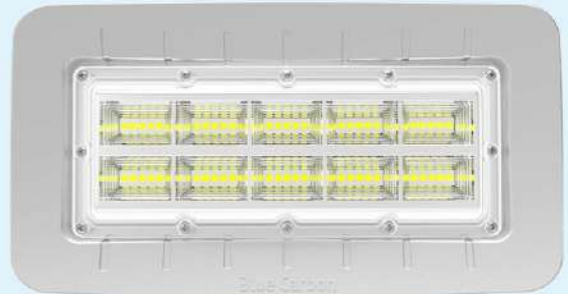
Blue Carbon, lighting up the way home.

BCT

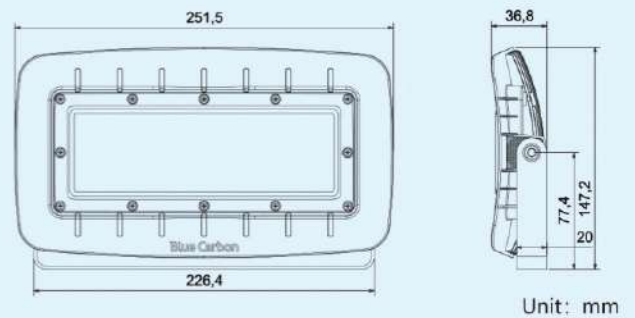
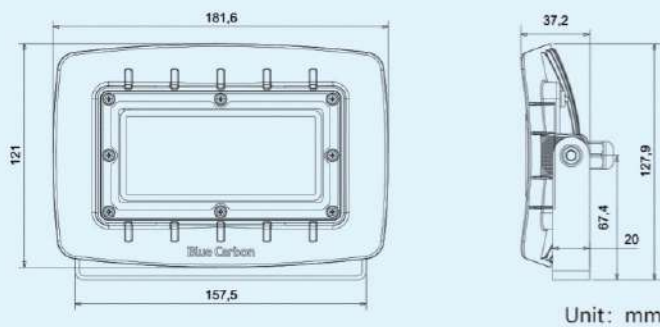
CE Radar Flood Light 1.0/2.0



Radar Flood Light 1.0
Product Demo Photo



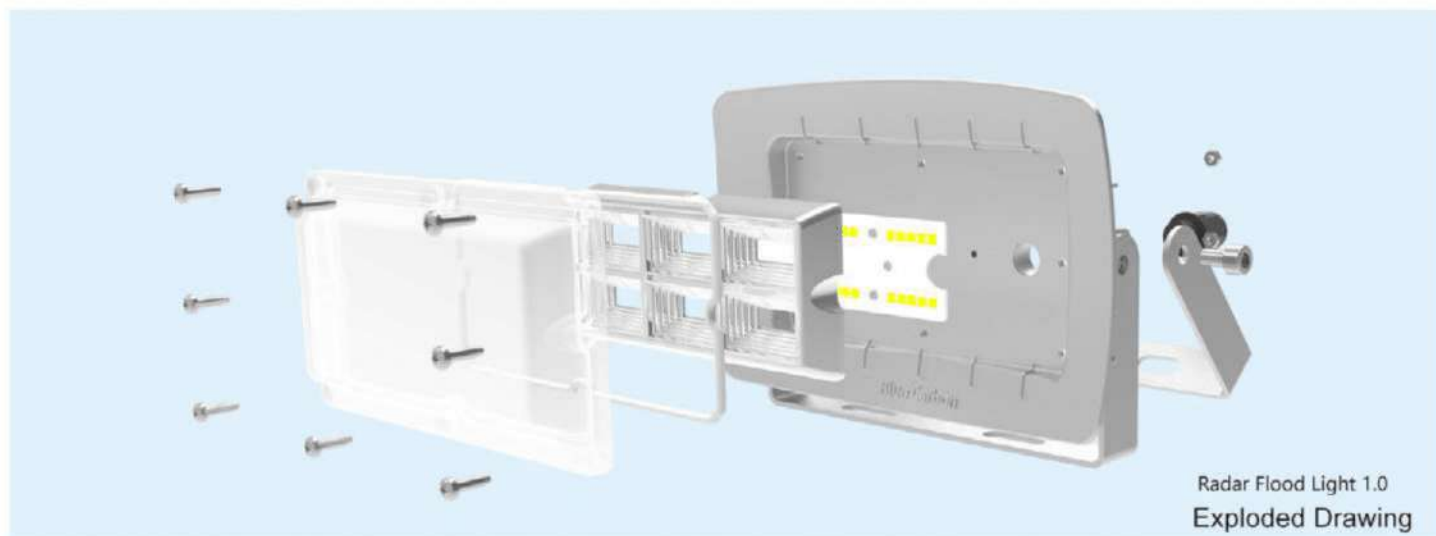
Radar Flood Light 2.0
Product Demo Photo



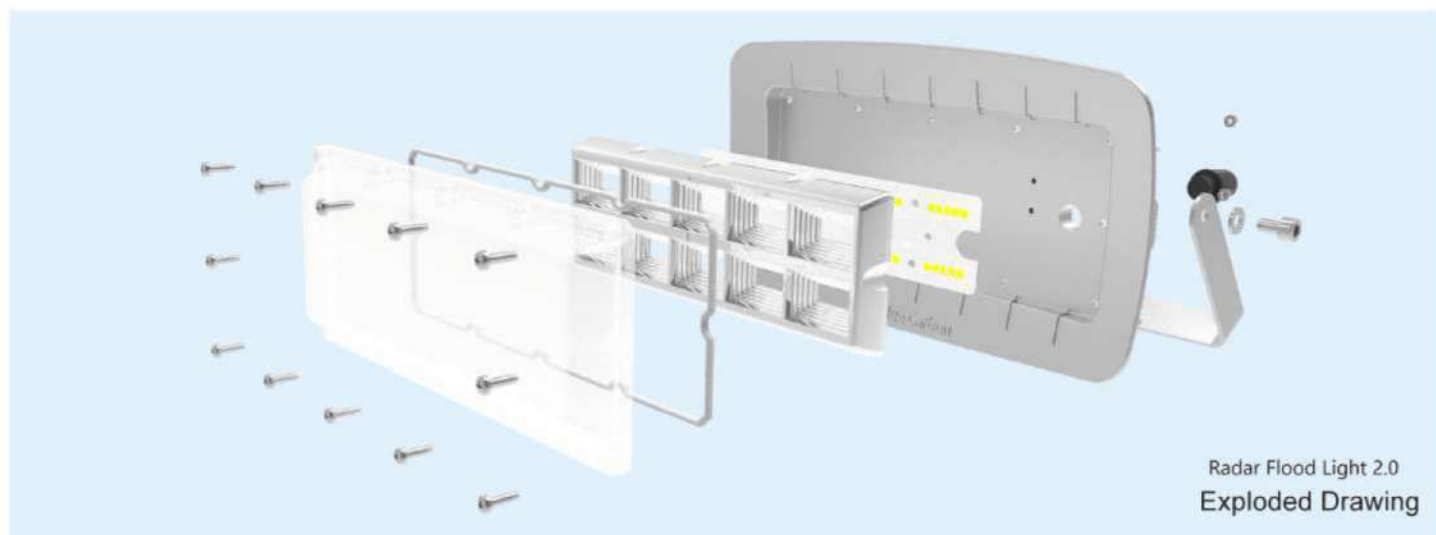
Solar panel
built-in military
aviation plug

BCT

CE Radar Flood Light 1.0/2.0



Radar Flood Light 1.0
Exploded Drawing



Radar Flood Light 2.0
Exploded Drawing

Product Advantage

- The light never be off no matter how many rainy or cloudy days.
- The light can be installed from Equator area to Polar regions. The working temperature is -47-70°C.
- Integrated design, modular production and easy installation.
- Low voltage design, safety and reliability.
- Integrated package, convenient transportation.
- With LiFePO₄ battery, high safety, long life span.
- With high efficiency LED, with 50000 hrs life span.
- With PC outdoor optical lens. High light transmittance, high temperature resistance and aging resistance.
- Exclusively designed diamond face reflection process, super high efficiency reflection light source, effectively enhance the brightness of the illumination.

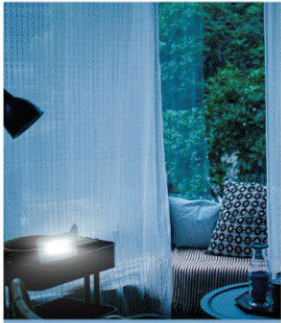
Application place:

It is widely used in home lighting, streets and roads, residential areas, scenic spots, parks, squares, private gardens and other public places, also used for night lighting of advertising board, and construction outdoor lighting, easy to install, energy saving, no need to pay electric fee, longer life span.

Product Parameters

Model		BCT-FLR1.0	BCT-FLR2.0
Solar Panel	Voltage/Power	5V/30W	5V/50W
	Life Span	25 years	25 years
Battery	Voltage/Capacity	3.2V/25Ah LiFePO ₄ battery	3.2V/50Ah LiFePO ₄ battery
	Life Span	8-12 years	8-12 years
Light Source	Luminous Flux	840lm LED	2400lm LED
	Life Span	50,000 hrs	50,000 hrs
Package Size		635×120×385mm	528×80×528mm
Qty of Package		2 sets	1 set
Lighting Time		All night lighting, the first 4 hrs full power lighting, the rest night lighting is intelligent power control.	
Lens		With PC outdoor optical lens, high light transmittance.	
Warranty		5 years	

Application Place



Home lighting



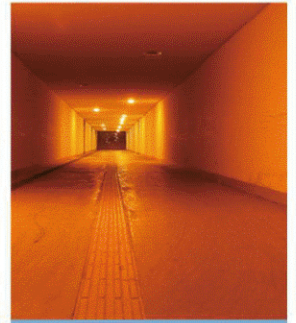
Billboard lighting



Landscape architecture



Building appearance



Safety lighting

Installation Case

