



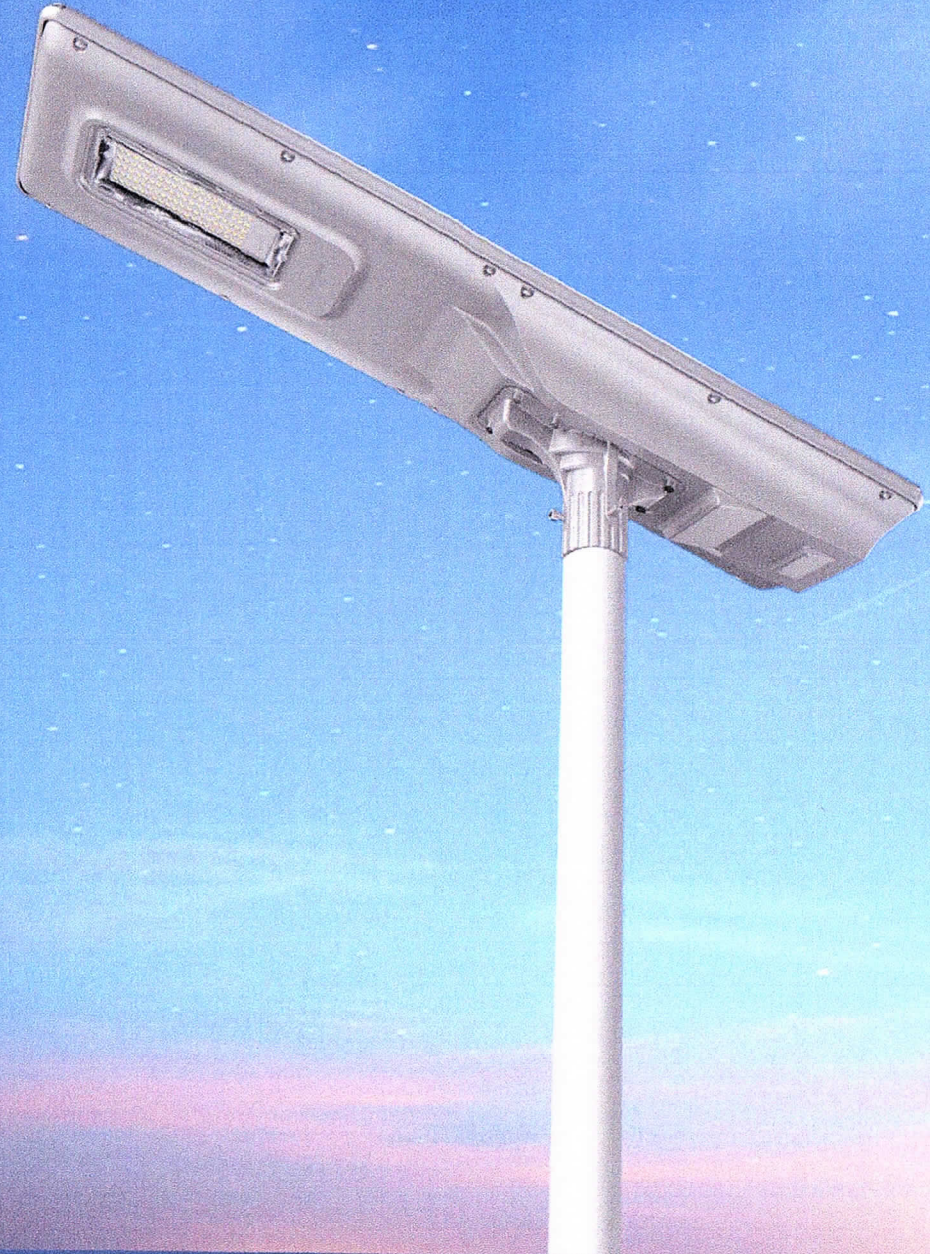
Blue Carbon  
蓝晶易碳

Blue Carbon, lighting up the way home.

# Solar Street Light

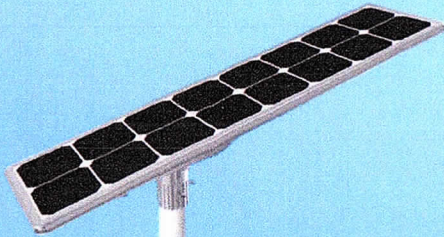
Integrated Solar Street Light

**Solar Flat Light**





Blue Carbon  
蓝晶易碳



## Solar Flat Light

- Original patent design, independent mould.
- All night lighting. The light never be off no matter how many rainy or cloudy days.
- The light can be installed from Equator area to Polar regions. The working temperature is -47-70°C.
- Integrated design, modular production.
- Low voltage design, safe and Reliable.
- Integrated package, convenient transportation.
- With LiFePO<sub>4</sub> battery which usually apply for electric bus.
- With PC outdoor optical lens. High light transmittance, high temperature resistance and aging resistance.
- Powered by Cree LED™ Products, with 100000 hrs life span.

Blue Carbon, lighting up the way home.

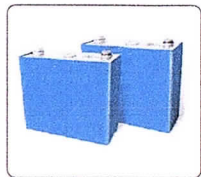
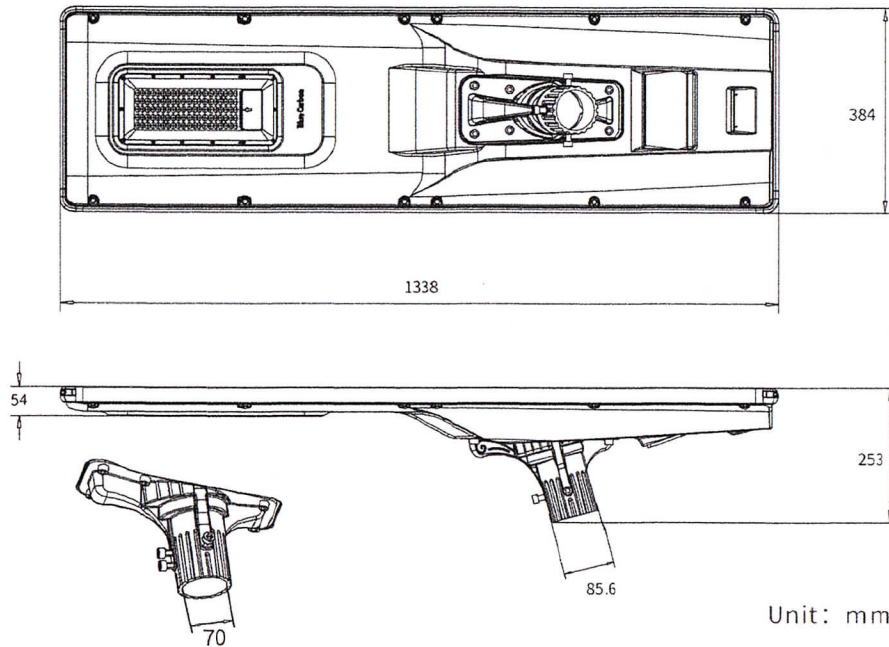
## Product Parameters

Model	BCT-OLF-100W
Solar Panel(Mono-crystalline)	100W
Battery(Built-in)	3.2V/200Ah LiFePO <sub>4</sub> Battery
Luminous Flux	8000lm(Common 80W LED)
Lighting Time	6+X/Intelligent power control, and can use remote control to adjust brightness and working mode.
Installation Height	8-10m
Installation Distance	40-50m
Color Temperature	3000-6500k
Light Pole Diameter	60-65mm
Solar Panel Charging Time(Sun)	8 hours
Solar Panel Charging Time(Rain)	3-5 days
Working Time	≥12 hours
Storage Temperature	0-55°C
Working Humidity	≤90RH%
Waterproof Grade	Ip65
Product size	1338×384×253mm



Blue Carbon  
蓝晶易碳

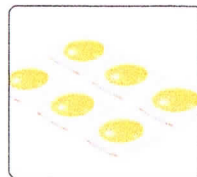
## Product Specifications



LiFePO<sub>4</sub> Battery



PC Outdoor Optical Lens



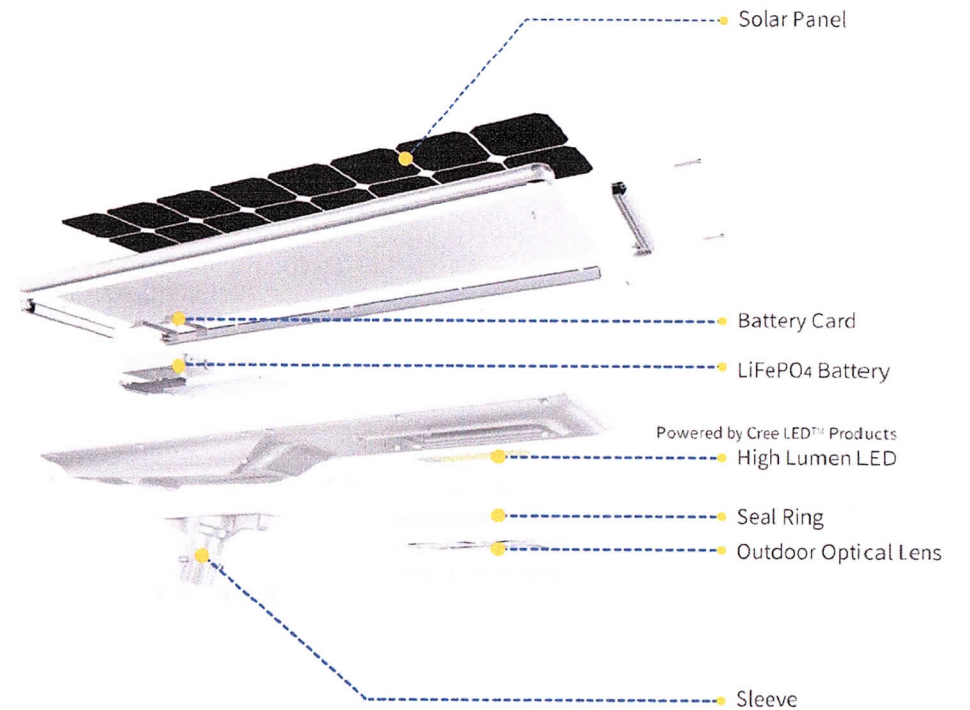
High Lumen LED SMD

Powered by Cree LED\*\* Products



Grade A+ Solar Cell

Blue Carbon, lighting up the way home.

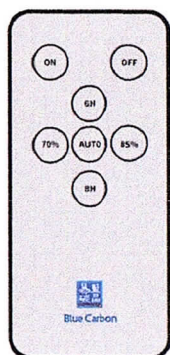
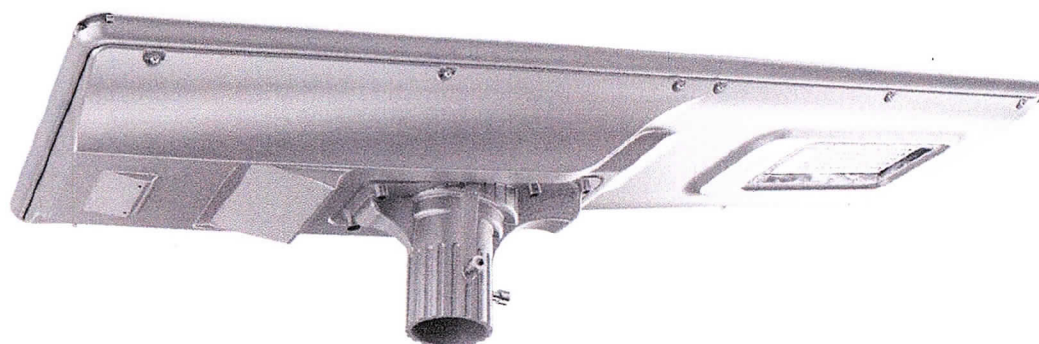




Blue Carbon  
蓝晶易碳

Blue Carbon, lighting up the way home.

## Product Exhibition



ON key: turn on

OFF key: turn off

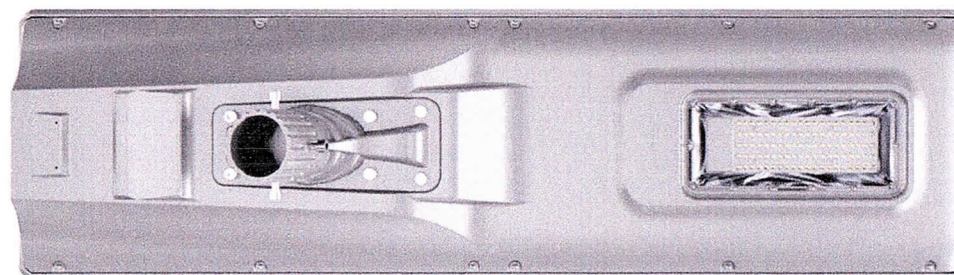
AUTO key: Reset, 6+X overnight lighting mode

6H key: lights off after 6 hours

8H key: lights off after 8 hours

85% key: reduce 15% power

70% key: reduce 30% power





Blue Carbon  
蓝晶易碳

Blue Carbon, lighting up the way home.

## Applicable Place & Installation Case

It is widely used in streets and roads, residential areas, scenic spots, parks, squares, private gardens and other public places.

