

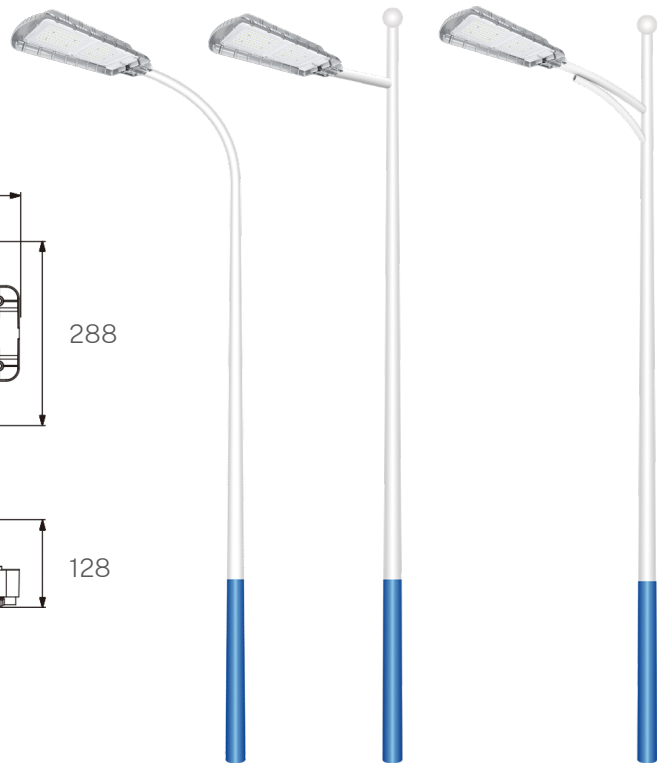
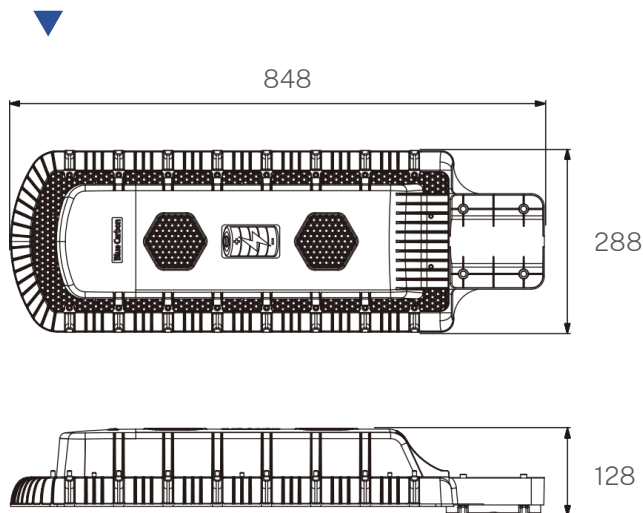
Blue Carbon

Blue Carbon, lighting up the way home.

BCT CITY POWER STREET LIGHT 100W



Product Size (Unit: mm)



+86-0633-2190373

<https://www.bluecarbontech.com.cn/en/>

Address: NO.C1 Technology Innovation Center, High-Tech Zone, Rizhao, Shandong Province, China
Office Location: Building A, International Fortune Center, Rizhao City, Shandong Province, China

Blue Carbon

Blue Carbon, lighting up the way home.

CITY POWER STREET LIGHT 100W



Advantage

- Using high efficiency LED with 100,000 hrs life span.
- Seiko level high quality aluminum magnesium alloy die-casting.
- High transmission lens.
- Integrated package, convenient transportation.

Applicable Place

Mainly used for the night lighting for urban and rural roads, traffic roads, schools, residential areas, squares, factories, scenic spots, etc.

Configuration

Model	BCT-AC-OLK3.0
Product Parameters	
LED Chips Quantity	162 Pcs
Light Source	100W LED
Color Temperature	6500K
Luminous flux	18000Lm
Product Specification	
Input Voltage	110V—220V
Operating Temperature	-40°C—60°C
Package Size	915×355×150mm
Package Quantity	1 Sets
Warranty Period	3 Years
Installation Parameters	
Suggestion Installation Height	8-10m
Suggestion Installation Distance	40-50m
Applicable Arm Diameter	60mm



+86-0633-2190373

<https://www.bluecarbontech.com.cn/en/>

© Add: NO.C1 Technology Innovation Center, High-Tech Zone, Rizhao, Shandong Province, China
Office Location: Building A, International Fortune Center, Rizhao City, Shandong Province, China